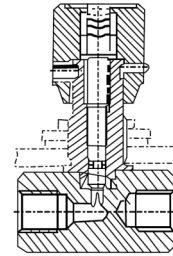




Features

- Inline flow control valve allows the control of flow and speed of actuators.
- Precision control of flow with needle spool and fine adjustment knob.
- High working pressure rating up to 350bar (5075psi)



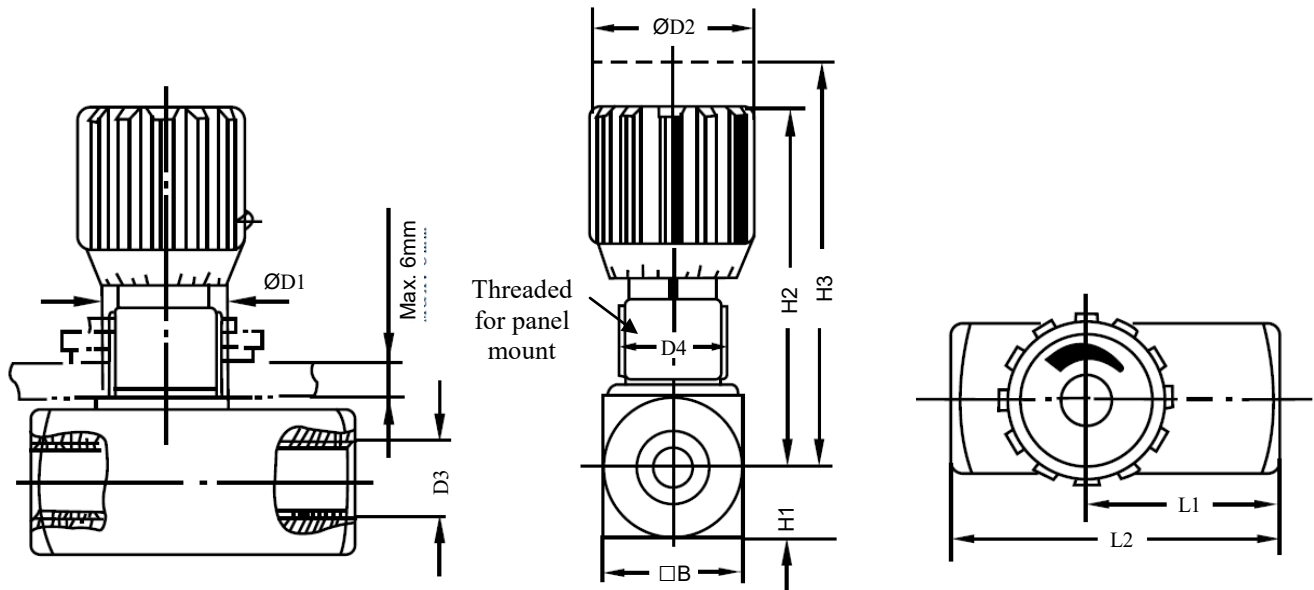
Ordering Details

V	Valve			
I	Inline connection			
N-	Needle Flow Control			
O8-	Port Size			
1	Series:			

Nominal Thread Size	Code NPTF Pipe Thread	Code SAE O-ring Boss
1/4"	N.25	O4
1/2"	N.5	O8
3/4"	N.75	O12
1"	N1	O16

Example Part Number: VIN-O8-1

Dimensions and Technical data



NPTF (D3)	1/4"	1/2"	3/4"	1"
SAE (D3)	-4	-8	-12	-16
B mm (inch)	25 (1.00)	35 (1.38)	45 (1.77)	50 (1.97)
D1 mm (inch)	19 (0.75)	23 (0.91)	23 (0.91)	38 (1.50)
D2 mm (inch)	29 (1.14)	38 (1.50)	38 (1.50)	49 (1.93)
D4 mm	M18X1.5	M22X1.5	M22x1.5	M33x1.5
H1 mm (inch)	12.5 (0.50)	17.5 (0.69)	22.5 (0.89)	25 (0.98)
H2 mm (inch)	65 (2.56)	82 (3.23)	96 (3.78)	128 (5.71)
H3 mm (inch)	72 (2.83)	92 (3.62)	106 (4.17)	145 (5.71)
L1 mm (inch)	24 (0.94)	34 (1.34)	39 (1.54)	54 (2.13)
L2 mm (inch)	48 (1.89)	68 (2.68)	78 (3.07)	108 (4.25)
Max. Flow lpm (gpm)	60 (16)	140 (37)	175 (46)	200 (53)
Max. Pressure bar (psi)	350 (5075)	350 (5075)	350 (5075)	350 (5075)
Weight kg (lbs.)	0.25 (0.55)	0.7 (1.54)	1.2 (2.64)	2.1 (4.62)